

SLC

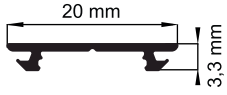
Developed by
The Light Group

L2 Curve

S40025

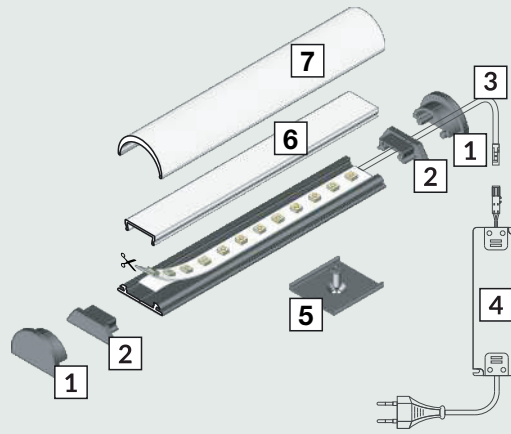
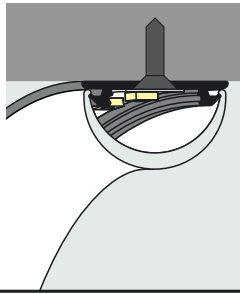


max
12 mm



20 mm

3,3 mm



7 L2 Cover Round
S41019

6 L Cover Flat
S41015/S41013

5 Mounting plate

1 End cap
Round
S43154

2 End cap
Flat
S43151

3 power supply
cable

4 LED power
supply



pliers



hacksaw



soldering iron



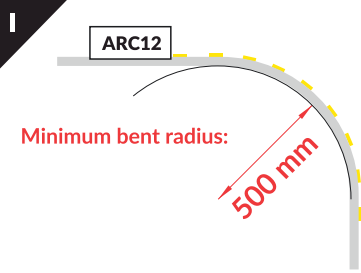
solder



drill



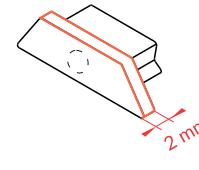
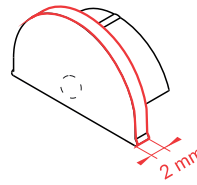
screwdriver



Minimum bent radius:

500 mm

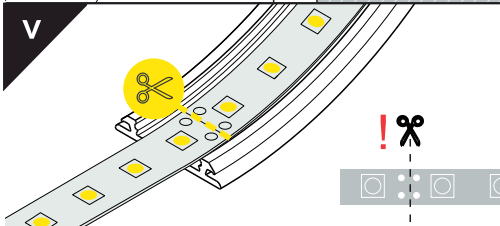
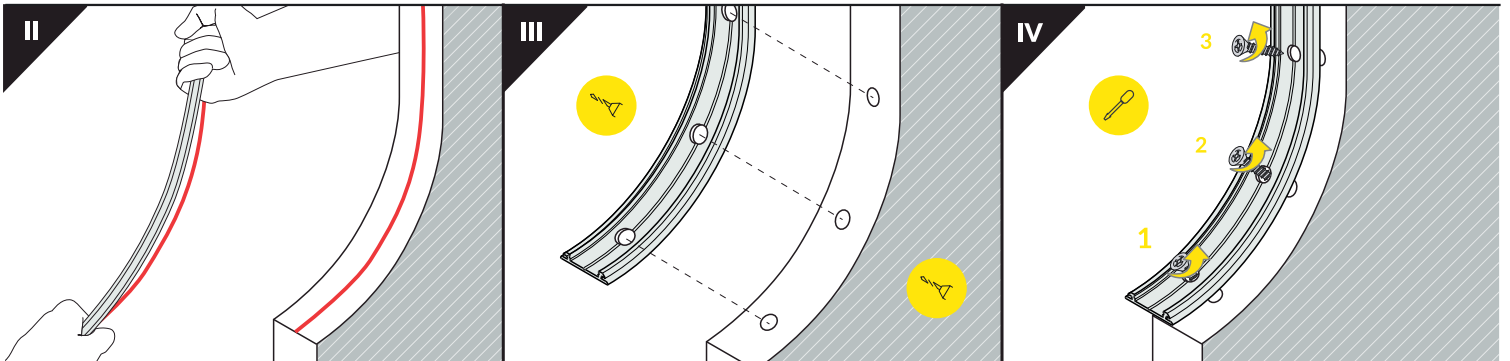
Note! When bending to the outside (picture on the left), the needed length of the cover is greater than the length of the profile.



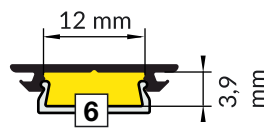
Note! End caps with marked space to drill a hole

Note! End caps thickness increases the length of the luminaire by 2 mm each side.

MANUAL BENDING

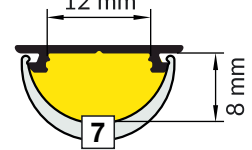


Dimensions of the space to install LED source.



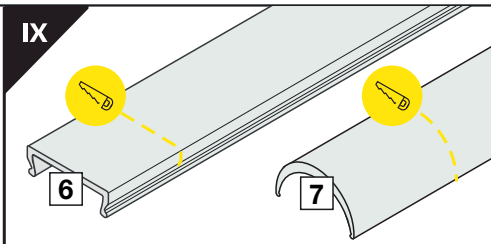
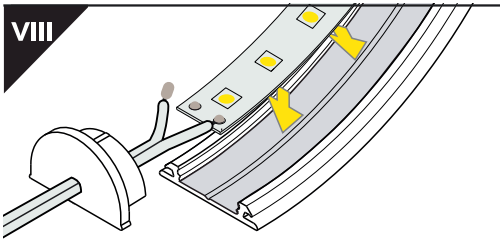
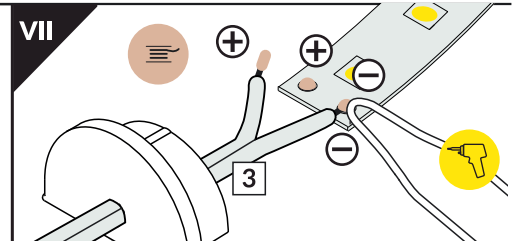
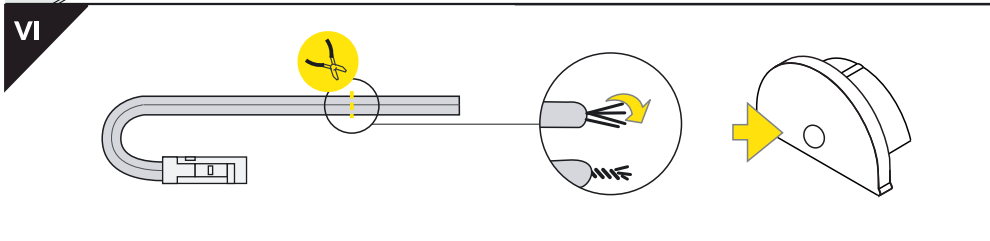
12 mm

3,9 mm



12 mm

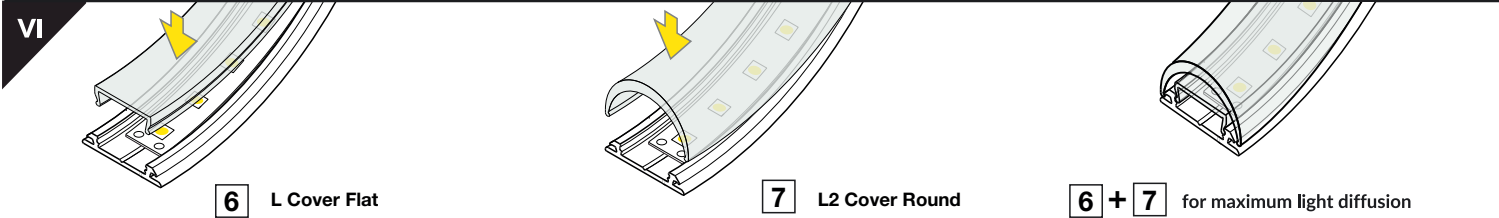
8 mm



SLC

Developed by
The Light Group



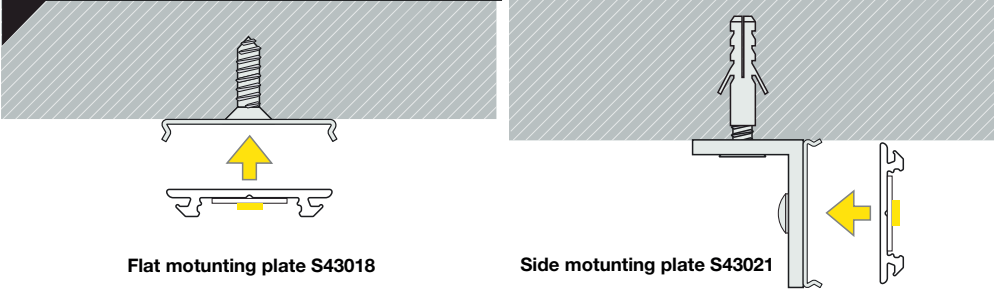


6 L Cover Flat

7 L2 Cover Round

6 + 7 for maximum light diffusion

VII MOUNTING

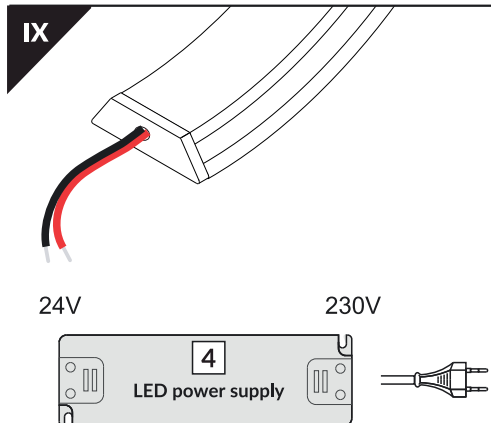
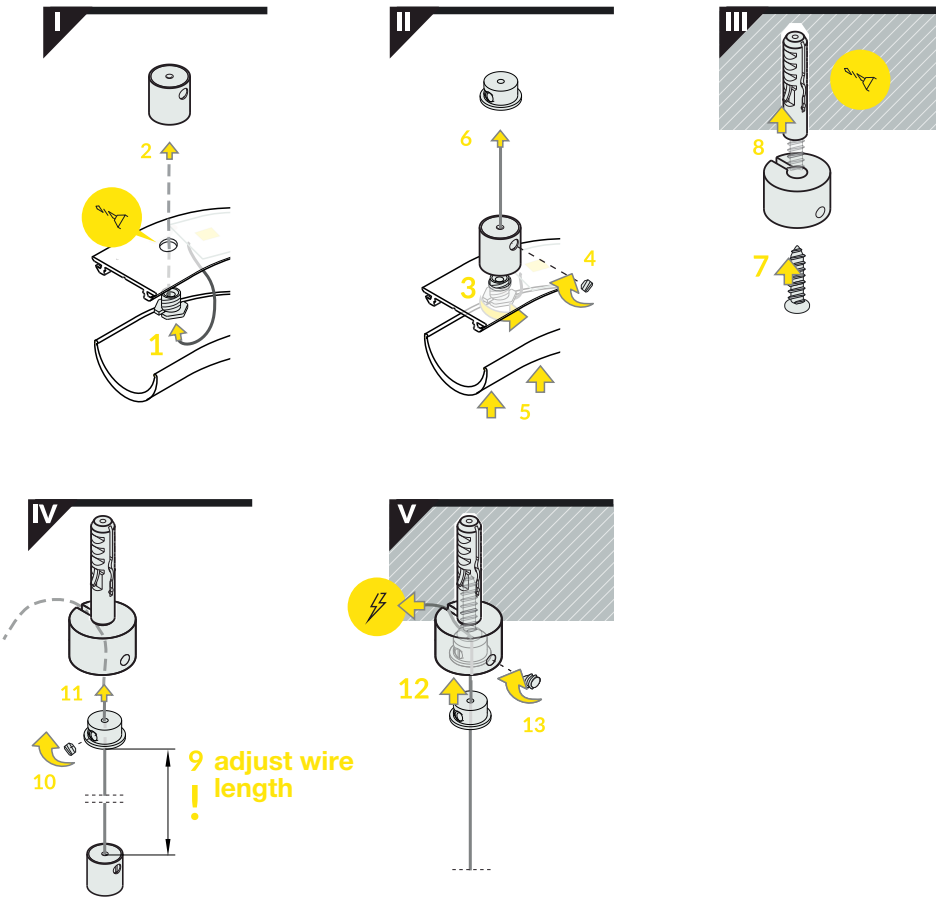


Flat mounting plate S43018

Side mounting plate S43021

Wire-set

SELV Wire-set 50 V 1500 S43084



www.tlg.no