



Paulmann

Safety Instructions

1, 2, 3, 4, 5, 6, 7, 10, 12, 13, 15, 16, 19, 20, 21, 22, 24, 28, 29, 30, 32, 33, 34



31.08.2021



A++ - A

01.09.2021



G

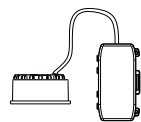
Paulmann Licht GmbH
Quezinger Feld 2
31832 Springe
Germany

www.paulmann.com

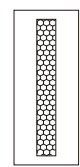
Art.-Nr.: 924.71



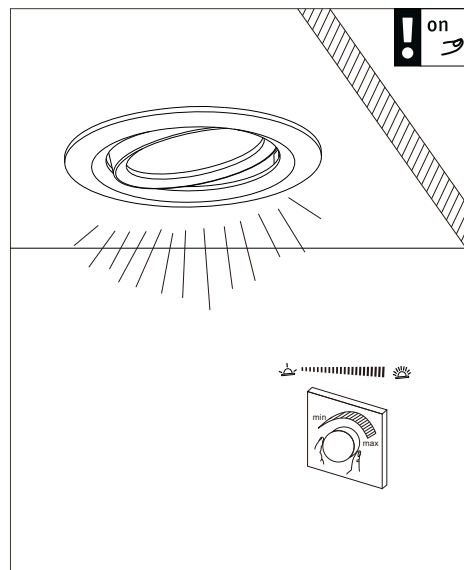
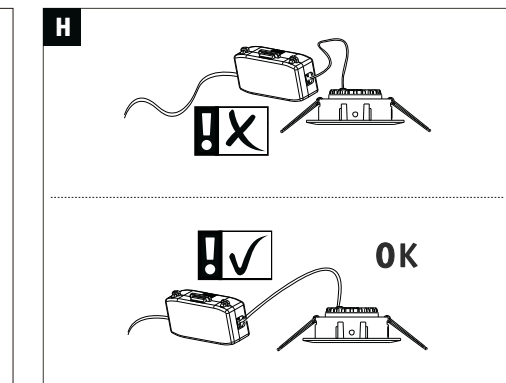
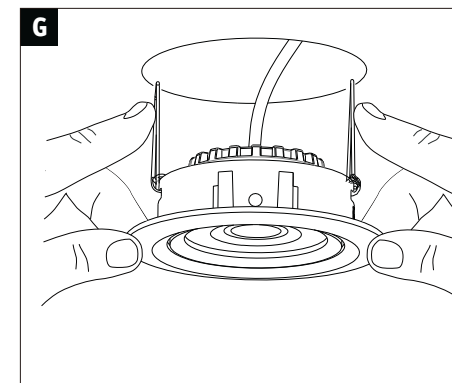
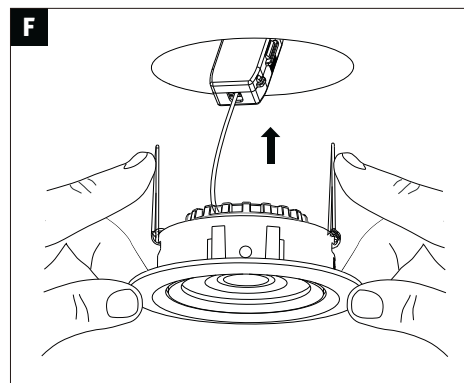
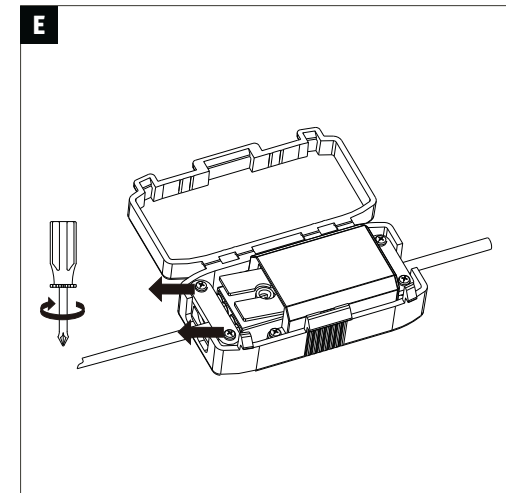
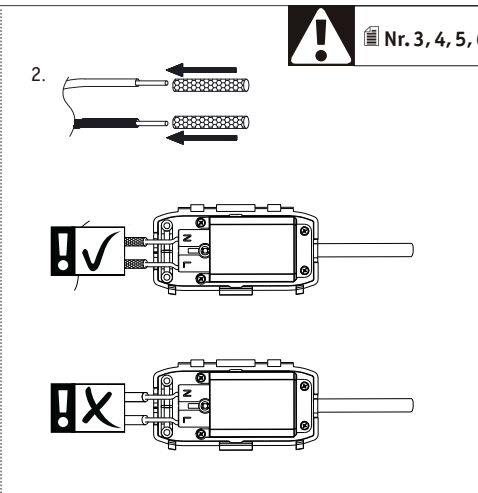
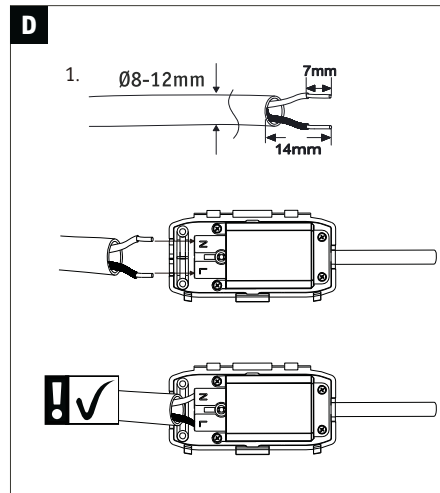
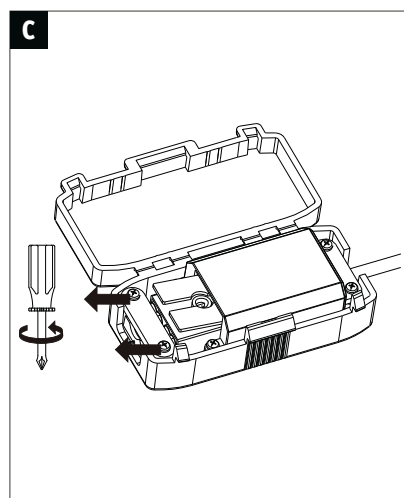
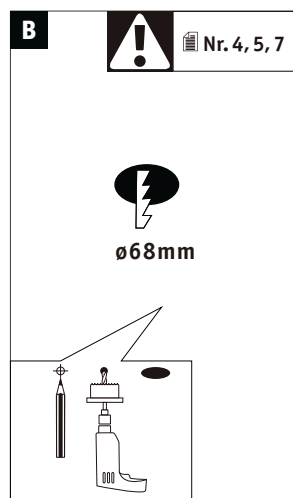
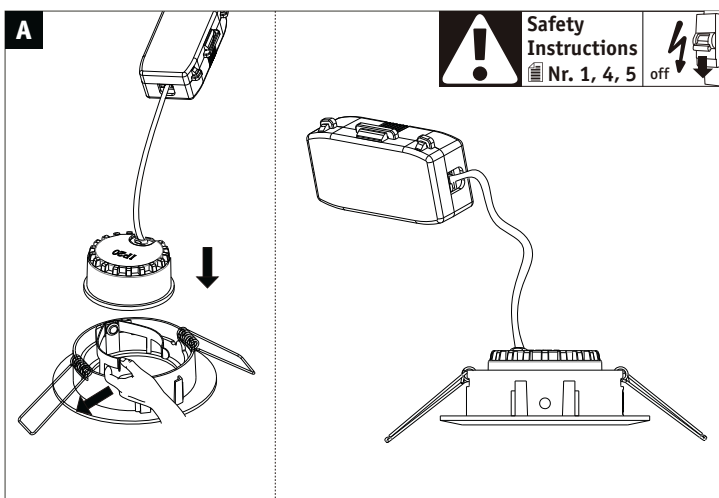
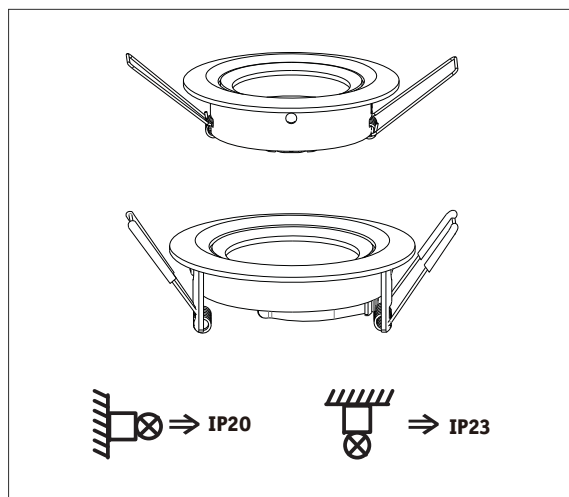
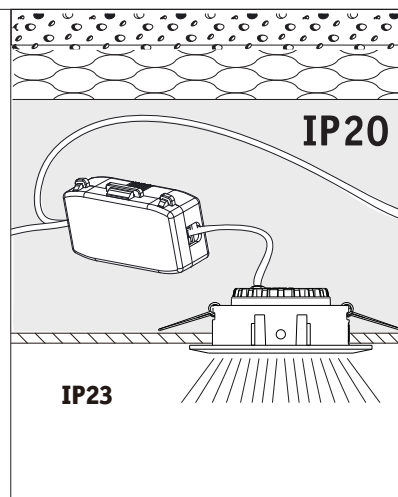
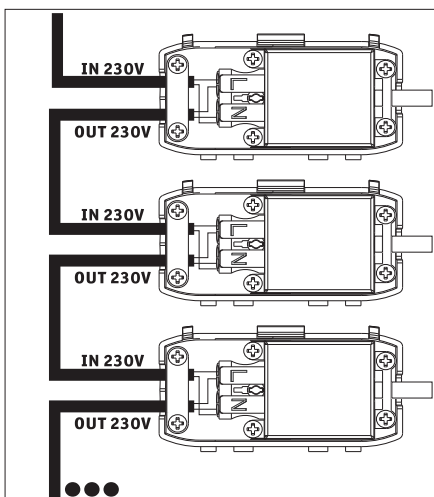
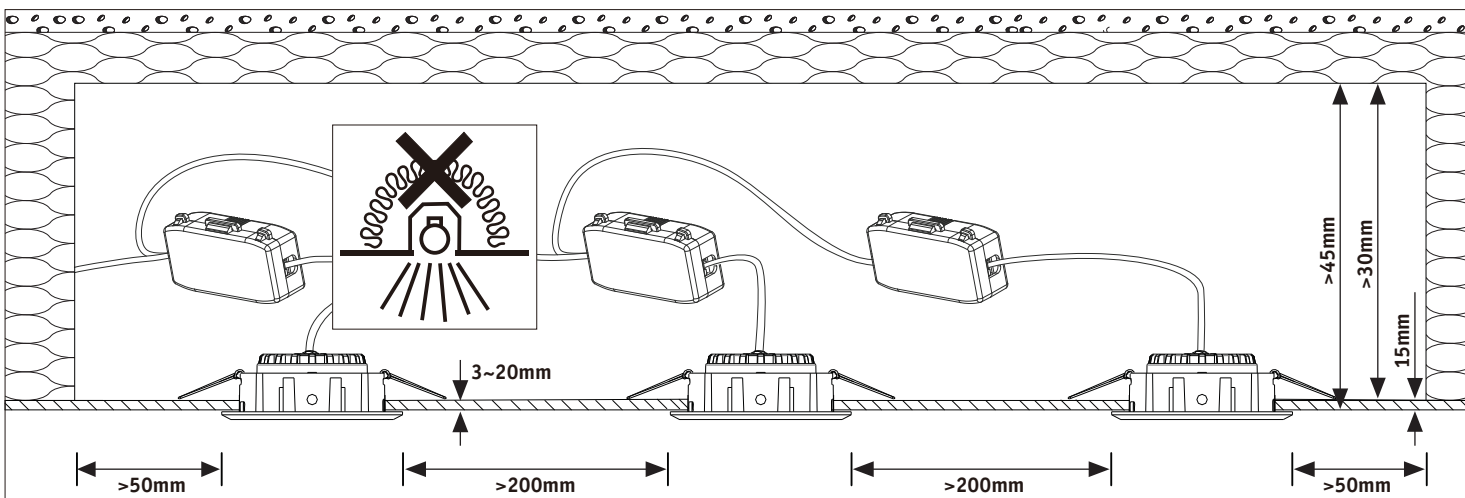
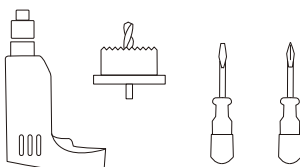
(+MA326) PSU 07/22



1x



incl.



ENERGY
Paulmann
92471

A
B
C
D
E
F
G

7 kWh/1000h

2019/2015

430 lm
6,3W
230V

warm white
2700K

CRI/Ra ≥ 80

dimming

≈ 30x 1.000h

ON OFF >50.000

Lumen 60% 2 s

ø 51 mm

390092471

