

# 997138

230V/50Hz~



4 x E27 max. 60W

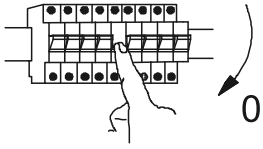
2x



2x



1



Ø6mm

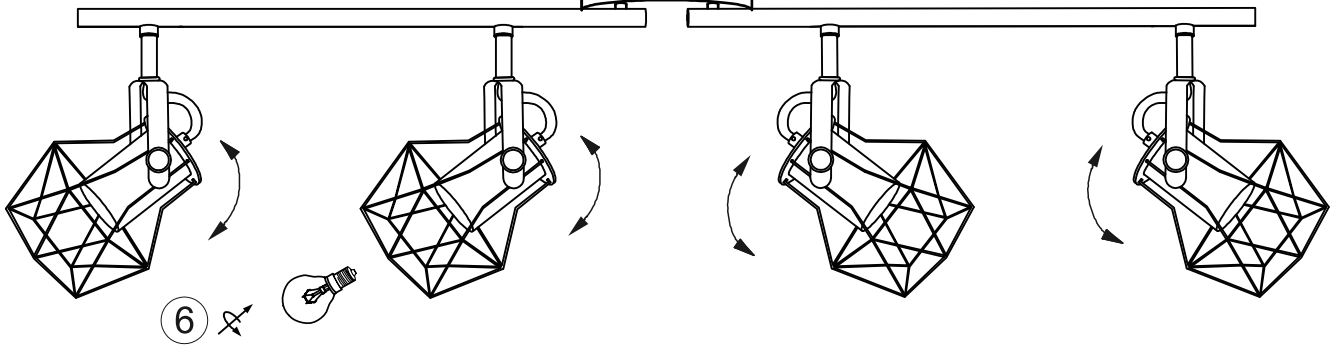
2

5

3

4

a = ⊕  
b = N  
c = L



6

7

