

LED 20W
 2.200lm
 43W
 2.050lm
 t 20.000h
 Tk 2.700-5.000 K
 15.000 x
 < 0,5s

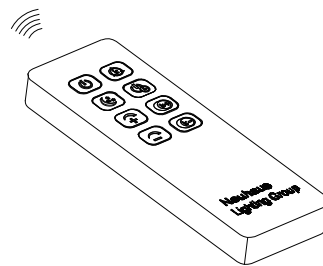
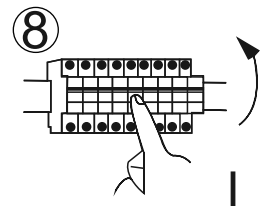
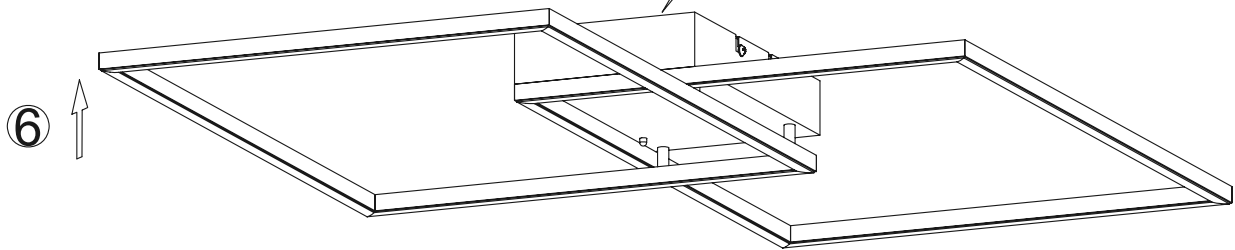
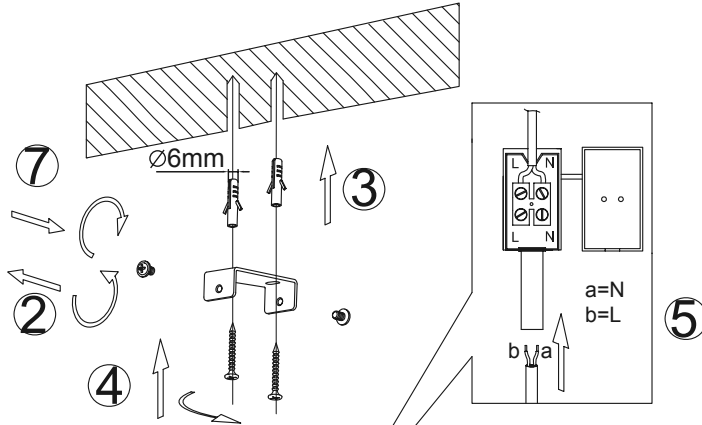
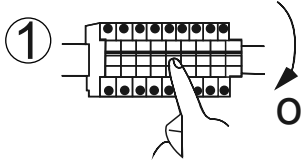


996625

230V/50Hz~

LED 2 x LED Board 24V DC / 20W

- 1x
- 2x AAA 1,5V
- 2x
- 2x



2x AAA, 1,5V

