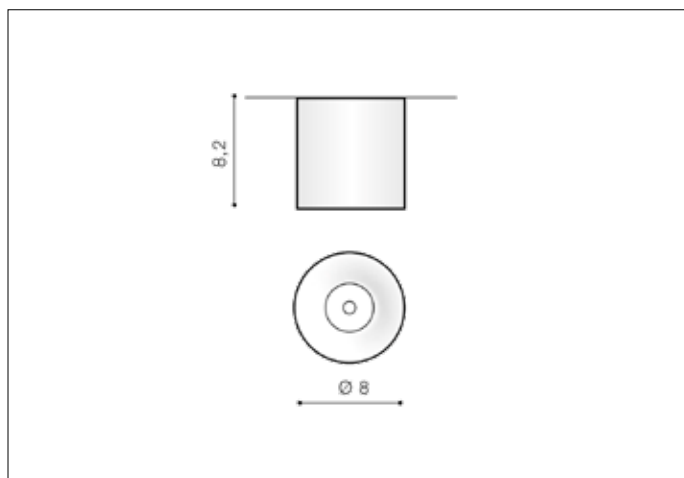


AZzardo[®]
LIGHTING

MANE 10W 4000K WHITE
AZ4324, EAN 5901238443247



Dimensions height / width / length [cm] Product Specifications

| | |
|-----------------|-----------------|
| Product | 8,2 x 8 x N/A |
| Mounting inlet: | N/A x N/A x N/A |
| Ceiling base: | N/A x N/A x N/A |
| Shades | N/A x N/A x N/A |

| | |
|--------------------|-------------------|
| Line | TECHNICAL |
| Type | Exposed Downlight |
| Type of track | N/A |
| Colour | White |
| Material | Metal |
| Light source | 1 |
| Type of socket | LED INTEGRATED |
| Lumens | N/A |
| Kelvins | 4000 |
| Beam angle | N/A |
| Dimmable | N/A |
| CCT | N/A |
| RGB | N/A |
| RA | ? 80 |
| App remote control | N/A |
| Remote control | N/A |
| Voltage | 230V |
| Power | 10W |
| Switch location | N/A |
| Protection class | IP20 |
| Tilt | N/A |
| Rotation | N/A |

Shipping info height / width / length [cm]

| | |
|-------------------|-----------------|
| BOX 1: | 9 x 9 x 9 |
| BOX 2: | N/A x N/A x N/A |
| BOX 3: | N/A x N/A x N/A |
| Net weight [kg] | 0,28 |
| Gross weight [kg] | 0,33 |

Energy efficiency



Azzardo Sp. z o.o.
ul. Strzeszyńska 33 60-479 Poznań,
NIP: 929-185-75-07

www.azzardolighting.com