

P
Paulmann

Safety Instructions

1, 2, 3, 4, 5, 6, 7, 10, 12, 13, 15, 16, 19, 20, 21, 22, 24, 28, 33, 34

31.08.2021
ENERGY LABEL 874/2012
A++ - A

01.09.2021
ENERGY LABEL 2019/2015
G

www.paulmann.com/symbols

Paulmann Licht GmbH
Quezinger Feld 2
31832 Springe
Germany
www.paulmann.com

Art.-Nr.: 934.46/47 934.48/49 934.52/53 934.54/50 934.51/55 934.56 944.71
(+MA326) PSU 07/22

IP23

934.46/934.48 934.47/934.49/934.52/944.71

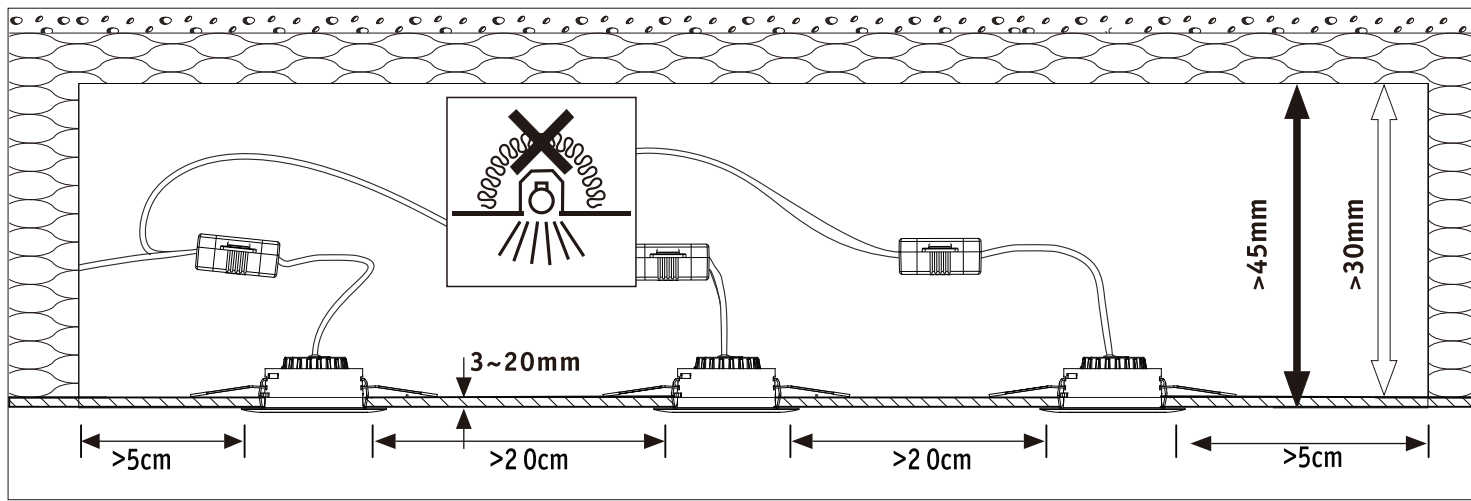
1x 1x Incl. 3x 3x Incl.

934.53 934.54 934.50

1x 1x Incl. 3x 3x Incl. 1x 1x Incl.

934.51 934.55 934.56

3x 3x Incl. 1x 1x Incl. 3x 3x Incl.



IP20

IP23

IN 230V OUT 230V

A Safety Instructions Nr. 1, 4, 5

B

C Nr. 4, 5, 7

ø 68mm

D

E 1

Ø12-8mm 7mm 14mm

E 2

Nr. 3, 4, 5, 6

F

G

H

I

on

ENERGY LABEL

Paulmann

470 lm
6W
230V

warm white
2700K

CRI/Ra ≥ 85

ON OFF >50.000

≈30x 1.000h

Lumen 60% 2 s

6 kWh/1000h

2019/2015

CE UK CA

390093069

